

WESTRIP™ RETRO KITS

With
RMS CURRENT MEASUREMENT

*Circuit Breaker
Solid State Controls
with*

RMS-2012AF LOGIC

(All logics come with ARC FLASH as a standard)

The **WESTRIP** SOLID STATE TRIPPING SYSTEMS HAVE BEEN DESIGNED,
TESTED, and Produced To all Applicable NEMA and UL Standards.

PATENT NO. 4,866,557
ADDITIONAL
PATENTS PENDING

“ANSI C37.59”

WESTRIP, INC.
703-A CONCORD ROAD
ALBEMARLE, NORTH CAROLINA 28001

TOLL FREE: (877) 937-8747
FAX: (704) 983-6128
E MAIL: RMS2012AF@westrip.ca

ARC FLASH PROTECTION

While concerns over Arc Flash injuries and deaths have been around for decades, in recent years new standards have been written to better protect employees and equipment. Personnel safety is a concern for all industrial facilities and risks are present in almost every electrical environment. NFPA, NEC, OSHA, and IEEE have made changes to their respective standards in regards to arc flash hazards. In an effort to help customers maintain compliance with these standards WESTRIP introduced an ‘Arc-Flash’ option for its product lines in early 2005. In early models, the Arc Flash option included the ability to turn the Instantaneous Function On/Off with a Remote Switch. The RMS-2012AF gives our customers more options for ARC FLASH. The ARC FLASH Pick-Up can now be set independently of the Long Time, Short Time, and Instantaneous Functions eliminating the possibility of user errors when the breaker is returned to normal operation. Internal and optional external indications are available making it even easier to know the status of the ARC FLASH protection.

Arc Flash

Arc Flash is described by NFPA 70E, as a “dangerous condition associated with the release of energy caused by an electrical arc.” It is measured in terms of Incident Energy which is used to determine the level of Personnel Protection Equipment, or PPE, that is required to be worn by personnel working in proximity to the equipment. The following formula can be used to determine the incident energy for an “Arc in a Cubic Box”. This would be similar to a Circuit Breaker in a Cubicle.

$$E_{MB} = 1038.7 * D_A^{-1.4738} * t_A * [0.0093F^2 - 0.3453F + 5.9675]$$

Where:

E_{MB} is Incident energy in cal/cm² in a 20in Cubic Box

D_A is the distance from electrode in inches, 18” is generally used.

t_A is the clearing time

F is the available short circuit current, from 16kA to 50kA.

Actual clearing time may vary depending on the type of Circuit Breaker and the condition of its mechanical and electrical parts. Lower pickup settings can also reduce the trip time of the WESTRIP Logic thereby reducing the actual clearing time.

Using the above formula we can look at two situations and the effect of adding the protection of the instantaneous function of the WESTRIP Logic. Using 20,000A as the available fault current, the standard distance of 18 inches, and a Sensor rating of 1200A,

Example 1:

With Inst. P-Up defeated and Arc Flash disabled.
Sh/T Delay = .5
Incident Energy is calculated to be 20.4
According to the chart below, this would yield a Hazard/Risk Category of 3.

Example 2:

With Inst. P-Up defeated and Arc Flash enabled (0.05 sec)
Sh/T Delay = .5
Incident Energy is calculated to be 2.04
According to the chart below, this would yield a Hazard/Risk Category of 1.

As indicated in the above examples, reducing the clearing times of a fault greatly reduces the incident energy generated. This significantly lowers the potential for injuries to personnel and damage to nearby equipment.

Hazard/Risk chart from the NFPA 70E Standard.

Category	Incident Energy (Cal/cm ²)
1	0 - 4.000
2	4.001 - 8.000
3	8.001 - 25.00
4	25.01 - 40.00

Technical Aspects Bulletin

RMS-2012AF RETRO-KITS

Upgrade your circuit breaker with reliable, modern technology at a fraction of the cost. **WESTRIP RETRO-KITS** are comprised of the highest quality engineered components to easily retrofit circuit breakers regardless of the original quality or manufacturer.

WESTRIP RETRO-KITS OFFER THESE EXCLUSIVE FEATURES

1. Circuit design provides universality of time-current settings to allow one model for the full range of current settings required by normal applications.
2. ARC FLASH function allows for remote activation for added protection of personnel working near breaker without having to open the cubicle door.
3. Rotary switch adjustments provide precise, definite, and repeatable settings.
4. Each printed circuit board is treated to prevent contamination and signal leakage.
5. Metal enclosure, as standard, to shield against noise, magnetic interference and contamination.
6. Target diagnostic circuitry is designed to provide maximum protection capability to reduce system downtime by analyzing any over current fault and visually identifying its cause as an overload, short circuit or ground fault. Additionally, no batteries are required to maintain trip indication.
7. A Long Time pickup timing indicator, as standard, to aid in identifying an over current condition in process.
8. Circuit design allows for both local and remote fault indications. An optional feature can be added so that the unit can be interfaced with an existing communication's system.
9. An 'I²T' Short Time Delay switch setting to provide maximum coordination with the inrush currents of motors and transformers.
10. Circuitry built for protection against RF radiation, transient voltage, and harmonic problems.
11. Current sensors are epoxy encapsulated as standard.
12. Current sensors are designed to mount on the rear of the breaker for maximum ease of retrofitting circuit breakers.
13. Actuators are designed and manufactured for mounting on a wide range of circuit breakers at a minimum installation expense.
14. Actuators are manufactured with metals that help eliminate corrosion to prevent inoperable mechanisms.
15. Portable test set to facilitate in-house secondary testing of in service WESTRIP units at full current rating 0-60 amps.

WESTRIP's full range of **RETRO-KITS** provide our customers the ability to retro-fit any circuit breaker with the features required for the various applications with both cost and feature benefits which are unprecedented in the marketplace.

WESTRIP RETRO-KITS

CURRENT SENSORS

Current sensors are typically mounted on the rear bus-bar stabs of the circuit breaker. They produce a current output proportional to the load current of the breaker. Since the universal **RMS-2012AF LOGIC CONTROL** requires only nominal signal of 5A per breaker frame, the following current sensor ratings are available. Other ratings are available as special order at no additional charge. Using the 'SENSOR TAP' in conjunction with the 'AMP TAP' switch on the logic control, the following 'AMPERE RANGE' can be achieved for each 'FRAME'. Designs may allow for internal mounting of current sensors on some fixed breakers.

FRAME SIZE AMPERES	SENSOR TAP	AMPERE RANGE
225	225:5A	45-225
600	600/225:5A	45-600
1600	1600/800:5A	160-1600
3000	3000:5A	600-3000
4000	4000:5A	800-4000

The **RMS-2012AF CONTROLS** are universally adjustable and are compatible with any 5 amp secondary current sensor. If load conditions change, it is only necessary to readjust the 'Amp Tap' switch located on the Logic Control and not to replace or rewire the current sensors.

ACTUATORS

Actuators are manufactured to mount on standard breaker frames with minimal time and expense. With a minimum of 6 lbs. latching and tripping, they will trip the breaker when required and at the same time, eliminate nuisance tripping.

RMS-2012AF OEM REPLACEMENT TRIP UNIT

The RMS-2012AF OEM replacement trip unit is supplied with the same full load pick up characteristics to enable the replacement of obsolete OEM trip units. By utilizing the existing current sensors and/or magnetic latch, the circuit breaker can be updated with minimal cost and downtime.

TEST SET

A full function test set has been developed for use with the **RMS-2012AF LOGIC CONTROL**. It will check the time current characteristics of the logic programmer at an infinite number of points along its curves, test the programmer diagnostic circuitry, and flux shifter operation. The test set is a rugged, lightweight, portable device designed specifically with the service man in mind.

The Test Set operates, at full load, at more than 60 amps when attached to the RMS-2012AF. The test set is designed to handle current amplitudes according to the Long Time trip curves.

COMMUNICATIONS INTERFACE OPTION

The optional 'Communications Interface' provides the user with the ability to interface the RMS-2012AF LOGIC CONTROL with an existing communication system. The logic provides sets of normally open dry contact outputs, which are available through a second terminal block located on the left side of the Logic Control. The respective output will latch closed on a fault condition and will remain closed until it is reset. Reset will occur when the 'INDICATOR RESET' switch is pressed or when the 'Remote Reset' terminals on the 'CI' terminal block are shunted.

Outputs are provided for each target indicator, which may include 'Short Circuit', 'Overload', and 'Ground Fault'. A contact for 'Trip' can also be provided. Actual outputs will vary depending upon customer needs.

The relays are setup to close each time the target indicators flip and the logic trips. On startup conditions, an 'Instantaneous' trip may not be indicated by relay closure due to the high speed at which it occurs. When the elapsed time exceeds 100 milliseconds, relay closure is guaranteed. To provide for the relays to be reset, current must be flowing to the logic at a level of at least 20% of the Current Transformer rating.

RMS-2012AF SOLID STATE PROGRAMMER

The **RMS-2012AF** solid state programmer is a static trip device designed to provide more precise and definite tripping characteristics than obsolete Electro-mechanical or thermal type trip units.

The **RMS-2012AF** programmer is a single unit configuration, which is illustrated in Drawing 2 on page 8. The Logic Control has standard features such as 'LONG TIME', 'SHORT TIME', 'INSTANTANEOUS', AND 'ARC FLASH' tripping functions, 'AMP TAP', 'I²T', Long Time pick up light, Trip indicators, and an Indicator reset button. 'GROUND FAULT' tripping function is available as an option. The 'FUNCTION SELECTOR' switch allows customers the ability to configure the unit without the 'SHORT TIME' or 'INSTANTANEOUS' function. The unit has a built-in discriminator circuit that is operational for approximately 128 milliseconds upon startup. If a fault condition exists that exceeds a 12X rating, the logic will send an 'INSTANTANEOUS' trip signal to the actuator. This is an added safety feature that protects against bolted faults upon startup.

Drawings Legend

Drawing 1	-Page 7	-Function Block Diagram
Drawing 2	-Page 8	-Front Panel Layout
Drawing 3	-Page 15	-Wiring Diagram for Systems without Ground Fault Protection
Drawing 4	-Page 15	-Wiring Diagram for 3 Wire Systems with Ground Fault Protection
Drawing 5	-Page 15	-Wiring Diagram for 4 Wire Systems with Ground Fault Protection
TCC	-Page 16	-LSIG Time vs. Current Characteristic Curves
TCC	-Page 17	-Arc Flash Time vs. Current Characteristic Curves

Specific pickup points for each function are shown in drawing 2, while the basic functions are described in the following table. Examples are given in each description.

LEGEND TO DRAWING 2

1. AMP TAP	10. GROUND FAULT DELAY
2. LONG TIME PICK-UP	11. FAULT TRIP INDICATORS
3. LONG TIME DELAY	12. INDICATOR RESET BUTTON
4. SHORT TIME PICK-UP	13. LONG TIME PICK-UP LED
5. SHORT TIME DELAY	14. POWER INDICATOR LED
6. INSTANTANEOUS PICK-UP	15. SENSOR TERMINAL BLOCK
7. ARC FLASH	16. COMMUNICATION INTERFACE
8. FUNCTION SELECTOR	TERMINAL BLOCK (OPTION)
9. GROUND FAULT PICK-UP	

#1 AMP TAP SWITCH

This standard six-step adjustment varies the level of current the logic monitors from the Current Sensor's Tap Rating. The range of selection is from 50% to 100% in 10% increments. Changing this setting has the same effect as changing the value of the current sensor. This setting does not affect the 'GROUND FAULT' pick up settings.

Example:

1600-amp current sensor, with the 'AMP TAP' switch set at .5, logic control now monitors 800-amp maximum continuous current. The 'LONG TIME', 'SHORT TIME', 'INSTANTANEOUS', AND 'ARC FLASH' pick-ups are all coordinated to the 800-amp level. The 'GROUND FAULT' pick up will remain relative to the Current Sensor Tap rating.

#2 LONG TIME PICKUP SWITCH

The 'LONG TIME' Pick-up switch provides an additional current adjustment capability for the breaker with ten steps from 40% to 100% also in 5% & 10% increments. This function limits the amount of continuous current that the breaker will handle without tripping. This level should never exceed the maximum rating of the conductors within the breaker or switchgear. Changing this setting does not affect any other function.

Example:

1600-amp current sensor, with 'AMP TAP' switch set at .6 = 960-amps. With 'LONG TIME' Pick-up set at .4, the maximum continuous current rating of the circuit breaker is now at 384-amp. The 'SHORT TIME', 'INSTANTANEOUS', AND 'ARC FLASH' are coordinated to 960-amp.

#3 LONG TIME DELAY SWITCH

This ten-step time adjustment varies the time that the breaker will operate under sustained overload without tripping. The time varies depending upon the level of the overcurrent condition. The settings on the faceplate are relative to a current level of 600% of the 'LONG TIME' pick up switch setting.

Example:

1600-amp current sensor, Logic Control set as above, with the 'LONG TIME' delay set at '5'. With a current level of 2304-amp, the breaker would trip in about 5 seconds.

#4 SHORT TIME PICK-UP SWITCH

The 'SHORT TIME' Pick-up switch controls the level of high current the breaker will carry for short periods of time without tripping. This function has a ten-step adjustment, which varies between 1.5 and 10 times. It is coordinated to the Current Sensor rating and the 'AMP TAP' switch setting.

Example:

1600-amp current sensor, Logic Control set as above, with the 'SHORT TIME' Pick-up switch set at '6' provides a 5,760-amp trip setting.

#5 SHORT TIME DELAY AND I²T SWITCH

This ten-step delay adjustment provides a further coordination between circuit breakers. It allows the breaker a time interval before responding to the selected 'SHORT TIME' current levels. 9 steps allow the time duration to be adjusted between '.1' and '.5' seconds in .05 increments. The final step, 'I²T', provides the ability of introducing an additional energy ramp into the short time function delay. This provides maximum coordination benefits especially for motor start applications. Thus the short time function can be set at lower levels without tripping on motor startup.

#6 INSTANTANEOUS PICK-UP SWITCH

This function determines the level at which the breaker will trip without intentional time delay. Depending upon the setting, the instantaneous interruption will normally occur only as a result of a severe short circuit fault condition.

Example:

1600-amp current sensor, Logic Control set as above, with the 'INSTANTANEOUS' Pick-up switch set at '10' provides a 9,600-amp trip setting.

#7 ARC FLASH

The ARC FLASH Pick-Up can be set independently of the Instantaneous Function. This function operates similarly to but independently from the INSTANTANEOUS Function. The trip time is slightly quicker and is normally used when personnel are working near the switchgear.

A control switch can be wired remotely to provide the customer the ability to enable and disable the ARC FLASH without affecting any other functions on the LOGIC. This allows the user to enable a lower pickup level for when personnel will be working in close proximity to the breaker. The Remote Switch can be used to disable the ARC FLASH during normal operating conditions. Disabling the ARC FLASH will have no affect on any other functions.

Example:

1600-amp current sensor, Logic Control set as above, with the 'INSTANTANEOUS' Pick-up switch set at '10' provides a 9,600-amp trip setting. With the ARC FLASH Pick-up set to 5x and the Remote switch 'ON', the breaker would interrupt instantaneously at 4,800-amp.

#8 FUNCTION SELECTOR SWITCH

This adjustment provides the installer and end user the ability to configure the unit according to the specific needs of the power system that it has been installed on. Also allows the unit to be adapted to the changing requirements of the system, thus eliminating the need to special order a unit without either the 'Instantaneous' or 'Short Time' function.

Example:

1600-amp current sensor, Logic Control set as above, with the 'DEFEAT SELECTOR' switch set at 'SHORT TIME', the logic will not trip due to a 'Short Circuit' condition until the current level reaches 9,600-amp.

#9 GROUND FAULT PICK-UP SWITCH

This ten-step adjustable function determines the level of ground fault current at which circuit interruption will occur. This setting is a multiple of the sensor rating and is not affected by the 'AMP TAP' setting.

Example:

1600-amp current sensor, Logic Control set as above, with the 'GROUND FAULT' Pick-up switch set at '.5' provides an 800-amp trip setting.

#10 GROUND FAULT DELAY SWITCH

This ten-step adjustment allows a predetermined time delay to be introduced into the ground fault circuit. It provides the breaker a time interval before responding to the selected 'GROUND FAULT' current levels. The time duration can be adjusted between '.1' and '.5' seconds in .05 increments.

#11 FAULT TRIP INDICATORS

These fault indicators identify the cause of an over-current trip and help to reduce system down time. The electronic flip-flag indicators analyze the fault and provide a memory of the trip. They do not require batteries to maintain the indication. As an option, fault indicators can be mounted remotely.

#12 INDICATOR RESET SWITCH

This switch resets the all trip indication after a fault condition. The indication provided by the target indicators and communication outputs, if ordered, will be cleared.

#13 LONG TIME PICK-UP LED

This feature provides visual indication of an overload condition. The LED will light when the 'LONG TIME' pick up level is exceeded and timing begins. It will remain lit throughout the duration of the time band unless the current level falls below the set point.

#14 POWER INDICATOR LED

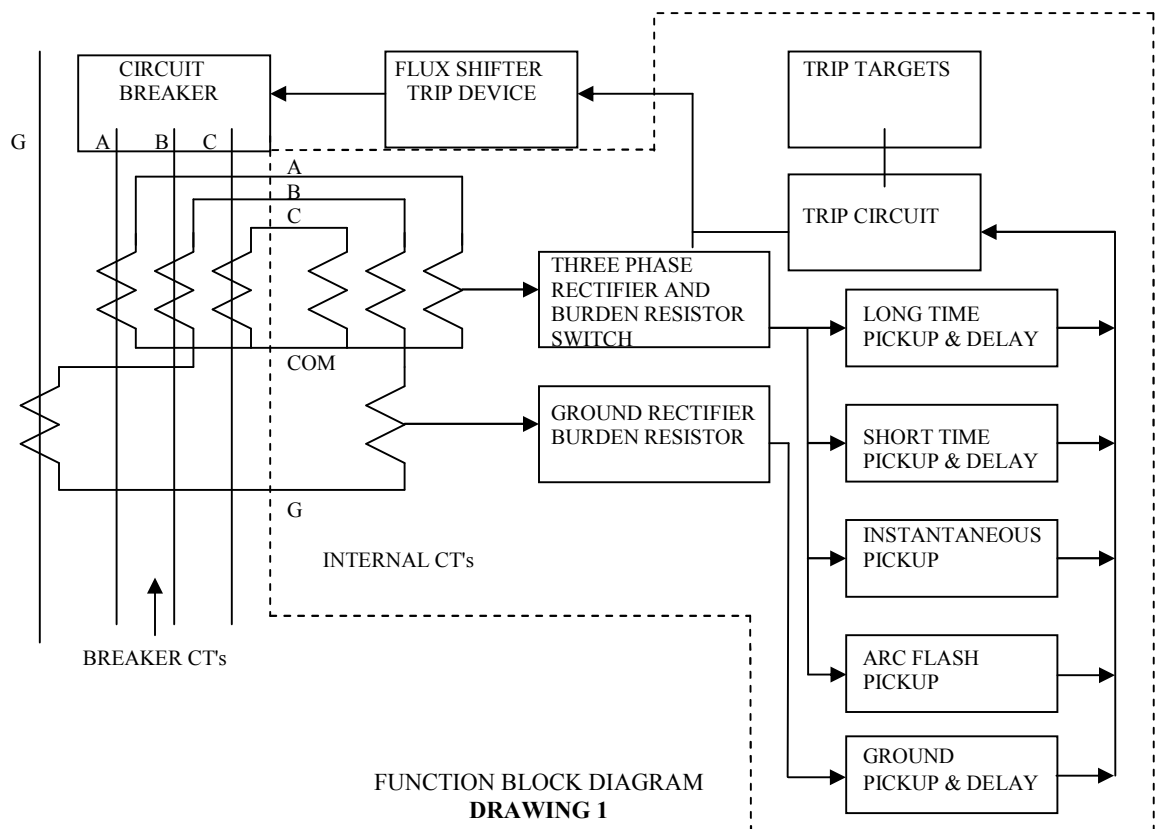
Lights when current level flowing has reached a sufficient level to cause the unit to function.

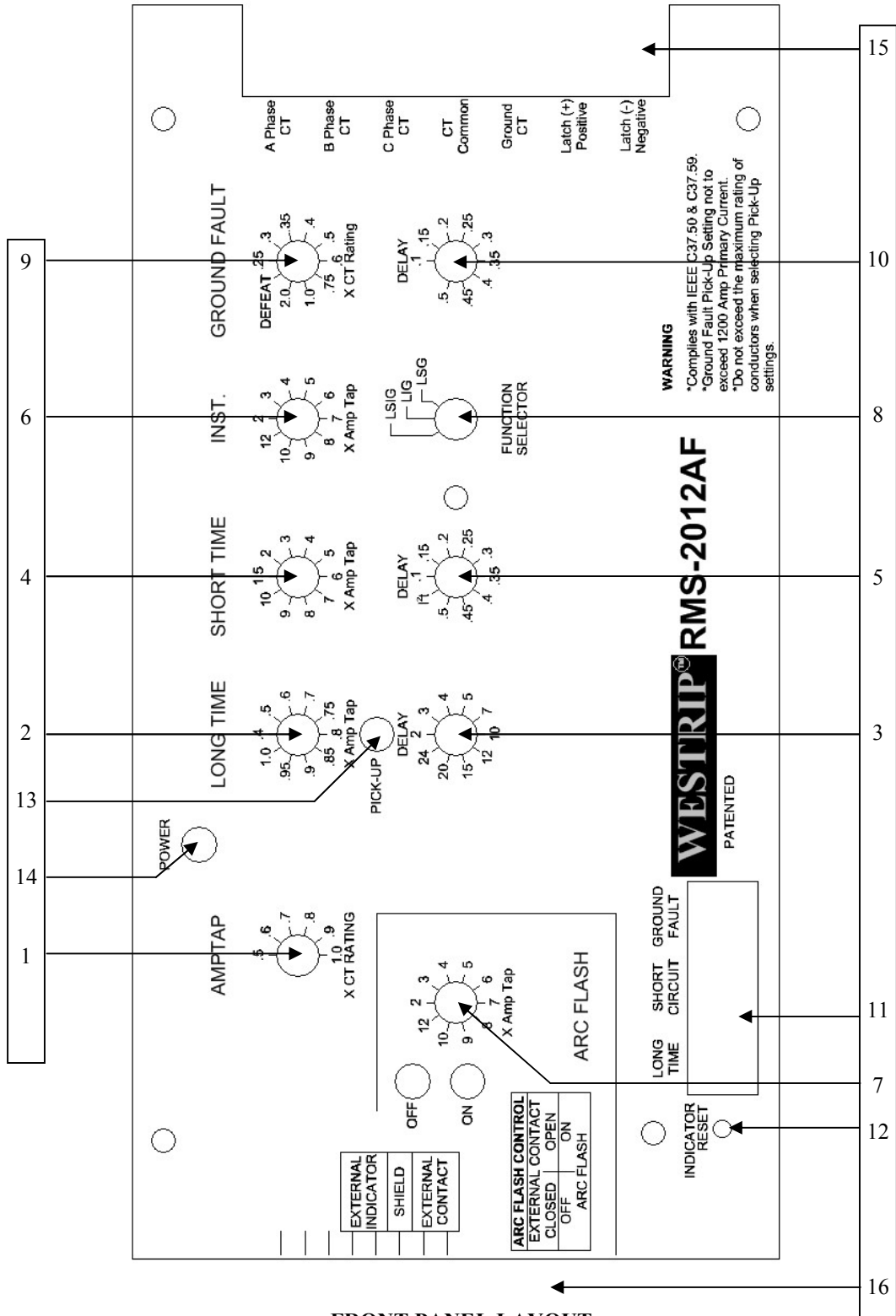
#15 SENSOR TERMINAL BLOCK

Seven-position terminal block, allows the 'Logic Control' to be interfaced with the Sensors and Actuator. The connections will be made per the indication of the Faceplate.

#16 COMMUNICATION INTERFACE TERMINAL BLOCK (OPTION)

Optional, seven-position terminal block, allows the 'Logic Control' to be interfaced with an existing communication system. The connections will be made per the indication of the Faceplate. The 'Remote Reset' requires only a dry contact closure to reset the indication within the box.





FRONT PANEL LAYOUT
DRAWING 2

TEST PROCEDURE FOR PROGRAMMABLE LOGIC CONTROLLER USING A SECONDARY TEST SET

1. Using the test set wiring harness, connect to the test set and to the logic box to be tested.
2. Verify all control settings are on the minimum settings and turn on the "Test Set".
3. Reset the "Trip Timer".
4. If an external ammeter is to be used, connect it to the "Test Set" at this time.
5. After testing a selected pick-up current or delay function, it is advised that the "Variac" control be returned to zero before proceeding to the next test.
6. When testing pick-up currents, start by selecting the lower range on the output. With the "Variac" at zero turn clockwise until the unit trips or the pick-up light turns on. If the logic controller does not trip at this setting, return the "Variac" to zero and select a higher range on the output and proceed with the test.
7. Testing of each function is described in more detail on the following pages.
8. The Logic can be tested with the Amptector secondary test set. **WESTRIP** can supply an adapter plug that allows for connection between the logic and the test set.

The "Sample Test Chart" below gives a basic layout for recording the results of the test performed on a Logic Control. The form can be used when testing on secondary or primary.

SAMPLE TEST CHART

DATE: ___/___/___

LOGIC SERIAL NUMBER: _____

LONG TIME FUNCTION:

SWITCH SETTING _____ AMP TAP _____ PICKUP CURRENT _____

DELAY SETTING _____ TEST CURRENT _____ ELAPSED TIME A _____ B _____ C _____

SHORT TIME FUNCTION:

SWITCH SETTING _____ AMP TAP _____ PICKUP CURRENT _____

DELAY SETTING _____ TEST CURRENT _____ ELAPSED TIME A _____ B _____ C _____

INSTANTANEOUS FUNCTION:

SWITCH SETTING _____ AMP TAP _____ PICKUP CURRENT _____

TEST CURRENT _____ ELAPSED TIME A _____ B _____ C _____

ARC FLASH FUNCTION:

SWITCH SETTING _____ AMP TAP _____ PICKUP CURRENT _____

TEST CURRENT _____ ELAPSED TIME A _____ B _____ C _____

GROUND FAULT FUNCTION:

SWITCH SETTING _____ PICKUP CURRENT _____

DELAY SETTING _____ TEST CURRENT _____ ELAPSED TIME A _____ B _____ C _____

LONG TIME FUNCTION TESTING

PICK-UP TEST

1. Select the Phase to be tested. Make certain all other functions are adjusted so as not to interfere with the selected test.
2. Set the 'LONG TIME' Delay switch to '2' and the 'LONG TIME' Pick up switch to the test point.
3. Start the "Test Set" and slowly increase the "Variac" from "0" until the 'PICK-UP' LED on the logic box lights.
4. Record the reading of the "Ammeter" just as the pick-up LED lights. Compare the reading to that of Chart 2A.
5. Return "Variac" control to "0". Repeat for other phases or pick-up settings if desired.

LONG TIME DELAY

1. Select the Phase to be tested. Make certain all other functions are adjusted so as not to interfere with the selected test.
2. Set the 'LONG TIME' Delay switch to the desired setting; '2', '3', '4', '5', '7', '10', '12', '15', '20', or '24'. These settings are referenced to a current level equal to 600% of the 'LONG TIME' Pick-Up. Actual delays can vary in accordance with the 'Time vs. Current Characteristic' curves. If a lower current level is used, refer to the table below for the corresponding timing range.
3. After the logic is adjusted, set the test current to the desired level, i.e. 300% of the long time pick-up switch setting. Stop the test and make certain the timer is reset.
4. Restart the 'Test Set' and let run until the logic trips and the breaker opens. The timer should indicate the elapsed time. Compare this time to that of the Chart 1A below or the trip curves. Repeat for other phases or switch settings if desired.
5. Return the "Variac" to "0".

Chart 1A – Long Time Delay

		Test Current Level					
		200%		300%		600%	
		Low Side	High Side	Low Side	High Side	Low Side	High Side
Delay Setting	2	14.4	21.6	6.4	9.6	1.6	2.5
	3	21.6	32.4	9.6	14.4	2.4	3.8
	4	28.8	43.2	12.8	19.2	3.2	5.0
	5	36	54	16	24	4	6.3
	7	50.4	75.6	22.4	33.6	5.6	8.8
	10	72	108	32	48	8	12.5
	12	86.4	129.6	38.4	57.6	9.6	15
	15	108	162	48	72	12	18.8
	20	144	216	64	96	16	25
24	172.8	259.2	76.8	115.2	19.2	30	

*Time in Seconds

Chart 2A – Long Time Pick-up Currents

		LONG TIME PICK UP						
		.4	.5	.6	.7	.8	.9	1.0
Amp Tap	.5	1.00	1.25	1.5	1.75	2.00	2.25	2.50
	.6	1.20	1.50	1.80	2.10	2.40	2.70	3.00
	.7	1.40	1.75	2.10	2.45	2.80	3.15	3.50
	.8	1.60	2.00	2.40	2.80	3.20	3.60	4.00
	.9	1.80	2.25	2.70	3.15	3.60	4.05	4.50
	1.0	2.00	2.50	3.00	3.50	4.00	4.50	5.00

SHORT TIME FUNCTION TESTING

PICK-UP TEST

1. Select the Phase to be tested and set the 'LONG TIME' Delay switch to '24'. Make certain all other functions are adjusted so as not to interfere with the selected test.
2. Set 'SHORT TIME' Delay switch to '.15' and adjust the 'SHORT TIME' Pick up switch to the test point.
3. Start the "Test Set" and slowly increase the "Variac" from "0" until the logic trips.
4. Record the reading of the "Ammeter" at the moment the trip occurs. Compare the reading to the value found in Chart 2B. Repeat for other phases or pick-up settings if desired.
5. Return the "Variac" to "0".

SHORT TIME DELAY

1. Select the Phase to be tested and set the 'LONG TIME' Delay switch to '24'. Make certain all other functions are adjusted so as not to interfere with the selected test.
2. Set the 'SHORT TIME' Delay switch to the desired setting; '.1', '.15', '.2', '.25', '.3', '.35', '.4', '.45', '.5', or 'I²T'.
3. Start the "Test Set" and set the test current to a level that is 150% of the 'SHORT TIME' Pick-up current. In order to perform this step, the 'SHORT TIME', 'INSTANTANEOUS', and 'ARC FLASH' pick-up switch on the logic box must be set to its maximum setting to prevent tripping. Once the "Variac" control is set, place the 'SHORT TIME' Pick-up switch to the test setting. Stop the test and make certain the timer is reset.
4. Restart the 'Test Set' and let run until the logic trips and the breaker opens. The timer should indicate the elapsed time. Compare this time to that of the Chart 1B below or the trip curves. Repeat for other phases or switch settings if desired.
5. Return the "Variac" to "0".

Chart 1B – Short Time Delay

		Test Current Level	
		150%	
		Low Side	High Side
Delay Setting	.1	65	100
	.15	98	150
	.2	130	200
	.25	163	250
	.3	195	300
	.35	228	350
	.4	260	400
	.45	293	450
	.5	325	500
	**I ² T	.58 Sec.	.90 Sec.

*Time in milliseconds

**I²T Test Settings: 'AMP TAP' = '1.0', 'SHORT TIME' = '2', Test current = 15A.

Chart 2B – Short Time Pick-up Currents

		SHORT TIME PICK UP									
		1.5	2	3	4	5	6	7	8	9	10
Amp Tap	.5	3.75	5.00	7.50	10.0	12.5	15.0	17.5	20.0	22.5	25.0
	.6	4.50	6.00	9.00	12.0	15.0	18.0	21.0	24.0	27.0	30.0
	.7	5.25	7.00	10.5	14.0	17.5	21.0	24.5	28.0	31.5	35.0
	.8	6.00	8.00	12.0	16.0	20.0	24.0	28.0	32.0	36.0	40.0
	.9	6.75	9.00	13.5	18.0	22.5	27.0	31.5	36.0	40.5	45.0
	1.0	7.50	10.0	15.0	20.0	25.0	30.0	35.0	40.0	45.0	50.0

INSTANTANEOUS FUNCTION TESTING

PICK-UP TEST

1. Select the Phase to be tested and set the 'LONG TIME' Delay switch to '24'. Make certain all other functions are adjusted so as not to interfere with the selected test.
2. Set 'INSTANTANEOUS' Pick up switch to the test point.
3. Start the "Test Set" and slowly increase the "Variac" from "0" until the logic trips.
4. Record the reading of the "Ammeter" at the moment the trip occurs. Compare the reading to the value found in Chart 2C. Repeat for other phases or pick-up settings if desired.
5. Return the "Variac" to "0".

INSTANTANEOUS DELAY

1. Select the Phase to be tested and set the 'LONG TIME' Delay switch to '24'. Make certain all other functions are adjusted so as not to interfere with the selected test.
2. Start the "Test Set" and set the test current to a level that is 150% of the 'INSTANTANEOUS' Pick-up current. In order to perform this step, the 'SHORT TIME', 'INSTANTANEOUS', and 'ARC FLASH' pick-up switch on the logic box must be set to its maximum setting to prevent tripping. Once the "Variac" control is set, place 'INSTANTANEOUS' Pick-up switch to the test setting. Stop the test and make certain the timer is reset.
3. Restart the 'Test Set' and let run until the logic trips and the breaker opens. The timer should indicate the elapsed time. Compare this time to that of the Chart 1C below or the trip curves. Repeat for other phases or switch settings if desired.
4. Return the "Variac" to "0".

Chart 1C – Instantaneous Delay

Set Secondary Current No More Than
To 150% of Chart 2C .06 Sec

Chart 2C – Instantaneous Pick-up Currents

		INSTANTANEOUS PICK UP									
		2	3	4	5	6	7	8	9	10	12
Amp Tap	.5	5.00	7.50	10.0	12.5	15.0	17.5	20.0	22.5	25.0	30.0
	.6	6.00	9.00	12.0	15.0	18.0	21.0	24.0	27.0	30.0	36.0
	.7	7.00	10.5	14.0	17.5	21.0	24.5	28.0	31.5	35.0	42.0
	.8	8.00	12.0	16.0	20.0	24.0	28.0	32.0	36.0	40.0	48.0
	.9	9.00	13.5	18.0	22.5	27.0	31.5	36.0	40.5	45.0	54.0
	1.0	10.0	15.0	20.0	25.0	30.0	35.0	40.0	45.0	50.0	60.0

ARC FLASH FUNCTION TESTING

PICK-UP TEST

1. Select the Phase to be tested and set the 'LONG TIME' Delay switch to '24'. Make certain all other functions are adjusted so as not to interfere with the selected test.
2. Set 'ARC FLASH' Pick up switch to the test point.
3. Start the "Test Set" and slowly increase the "Variac" from "0" until the logic trips.
4. Record the reading of the "Ammeter" at the moment the trip occurs. Compare the reading to the value found in Chart 2E. Repeat for other phases or pick-up settings if desired.
5. Return the "Variac" to "0".

ARC FLASH DELAY

1. Select the Phase to be tested and set the 'LONG TIME' Delay switch to '24'. Make certain all other functions are adjusted so as not to interfere with the selected test.
2. Start the "Test Set" and set the test current to a level that is 150% of the 'ARC FLASH' Pick-up current. In order to perform this step, the 'SHORT TIME', 'INSTANTANEOUS', and 'ARC FLASH' pick-up switch on the logic box must be set to its maximum setting to prevent tripping. Once the "Variac" control is set, place 'ARC FLASH' Pick-up switch to the test setting. Stop the test and make certain the timer is reset.
3. Restart the 'Test Set' and let run until the logic trips and the breaker opens. The timer should indicate the elapsed time. Compare this time to that of the Chart 1E below or the trip curves. Repeat for other phases or switch settings if desired.
4. Place a jumper on the 'ARC FLASH' Control Terminal block to defeat 'ARC FLASH'. Run the above test to verify the 'ARC FLASH' Function does not trip.
5. Return the "Variac" to "0".

Chart 1E – ARC FLASH Delay

Set Secondary Current No More Than
To 150% of Chart 2C .05 Sec

Chart 2E – ARC FLASH Pick-up Currents

		ARC FLASH PICK UP									
		2	3	4	5	6	7	8	9	10	12
Amp Tap	.5	5.00	7.50	10.0	12.5	15.0	17.5	20.0	22.5	25.0	30.0
	.6	6.00	9.00	12.0	15.0	18.0	21.0	24.0	27.0	30.0	36.0
	.7	7.00	10.5	14.0	17.5	21.0	24.5	28.0	31.5	35.0	42.0
	.8	8.00	12.0	16.0	20.0	24.0	28.0	32.0	36.0	40.0	48.0
	.9	9.00	13.5	18.0	22.5	27.0	31.5	36.0	40.5	45.0	54.0
	1.0	10.0	15.0	20.0	25.0	30.0	35.0	40.0	45.0	50.0	60.0

GROUND FAULT FUNCTION TESTING

PICK-UP

1. Select the Phase to be tested and set the 'LONG TIME' Delay switch to '24'. Make certain all other functions are adjusted so as not to interfere with the selected test. Verify that "Ground Fault" testing is enabled.
2. Set 'GROUND FAULT' Delay switch to '.15' and adjust the 'GROUND FAULT' Pick up switch to the test point.
3. Start the "Test Set" and slowly increase the "Variac" from "0" until the logic trips.
4. Record the reading of the "Ammeter" at the moment the trip occurs. Compare the reading to the value found in Chart 2D. Repeat for other phases or pick-up settings if desired.
5. Return the "Variac" to "0".

GROUND DELAY

1. Select the Phase to be tested and set the 'LONG TIME' Delay switch to '24'. Make certain all other functions are adjusted so as not to interfere with the selected test. Verify that "Ground Fault" testing is enabled.
2. Set the 'GROUND FAULT' Delay switch to the desired setting; '.1', '.15', '.2', '.25', '.3', '.35', '.4', '.45', or '.5'.
3. Start the "Test Set" and set the test current to a level that is 300% of the 'GROUND FAULT' Pick-up current. In order to perform this step, the 'GROUND FAULT' pick-up switch on the logic box must be set to its maximum setting to prevent tripping. Once the "Variac" control is set, place the 'GROUND FAULT' Pick-up switch to the test setting. Stop the test and make certain the timer is reset.
4. Restart the 'Test Set' and let run until the logic trips and the breaker opens. The timer should indicate the elapsed time. Compare this time to that of Chart 1D below or the trip curves. Repeat for other phases or switch settings if desired.
5. Return the "Variac" to "0".

Chart 1D – Ground Fault Delay

		Test Current Level	
		300%	
		Low Side	High Side
Delay Setting	.1	65	100
	.15	98	150
	.2	130	200
	.25	163	250
	.3	195	300
	.35	228	350
	.4	260	400
	.45	293	450
	.5	325	500

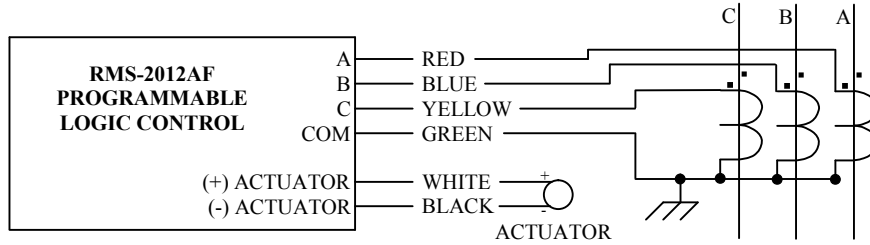
*Time in milliseconds

Chart 2D – Ground Fault Pick-up Currents

GROUND FAULT PICK UP									
.25	.3	.35	.4	.5	.6	.75	1.0	2.0	Defeat
1.25	1.50	1.75	2.00	2.50	3.00	3.75	5.00	10.0	No Trip

NOTE: 'GROUND FAULT' Pick ups not affected by 'AMP TAP' setting.

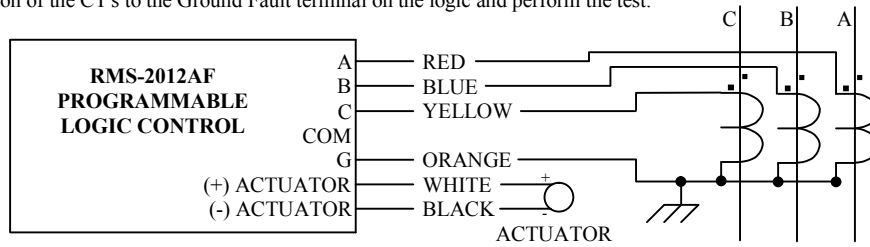
RMS-2012AF LOGIC CONTROLLER WIRING DIAGRAMS



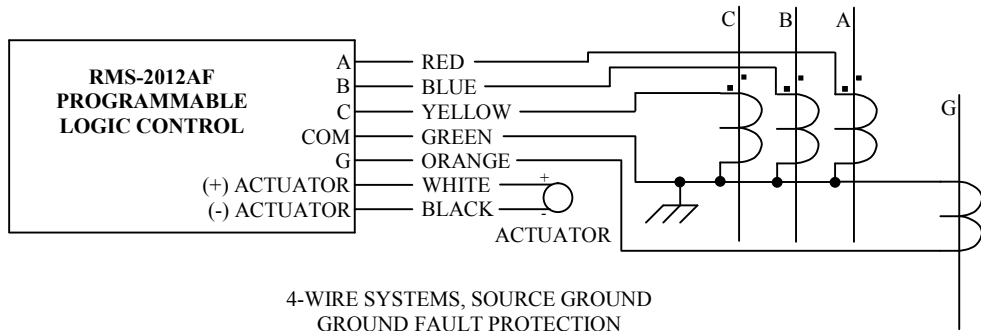
3-WIRE SYSTEMS WITHOUT GROUND FAULT PROTECTION
DRAWING 3

PRIMARY TESTING GROUND FAULT SYSTEMS

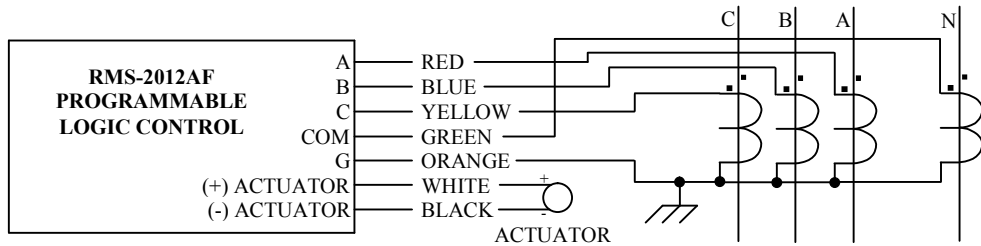
Connect the common of the CT's to the common on the logic to test all trip functions, except the ground fault. To test the ground fault function, connect the common of the CT's to the Ground Fault terminal on the logic and perform the test.



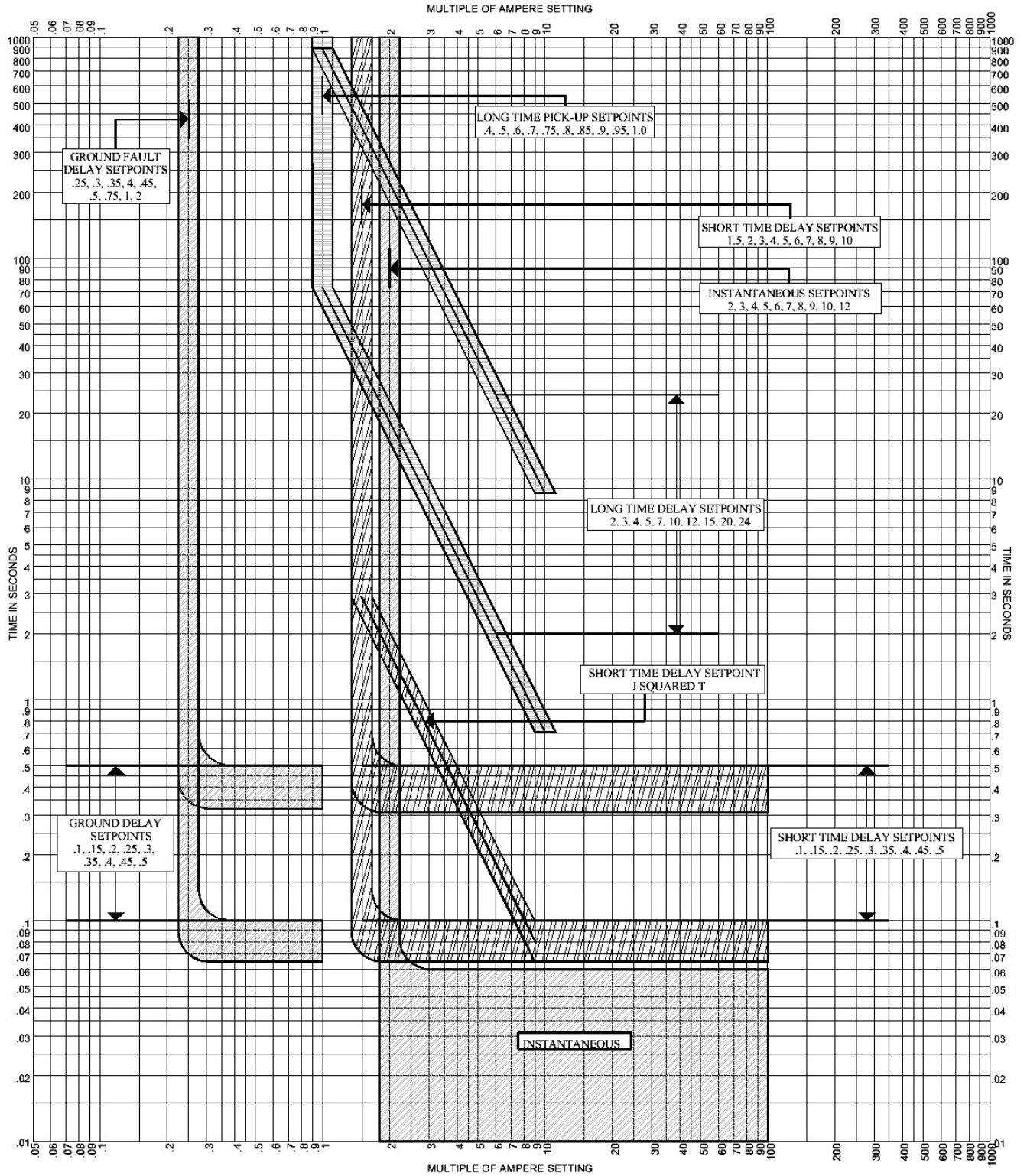
3-WIRE SYSTEMS, RESIDUAL MAIN AND FEEDER BREAKER
GROUND FAULT PROTECTION
DRAWING 4



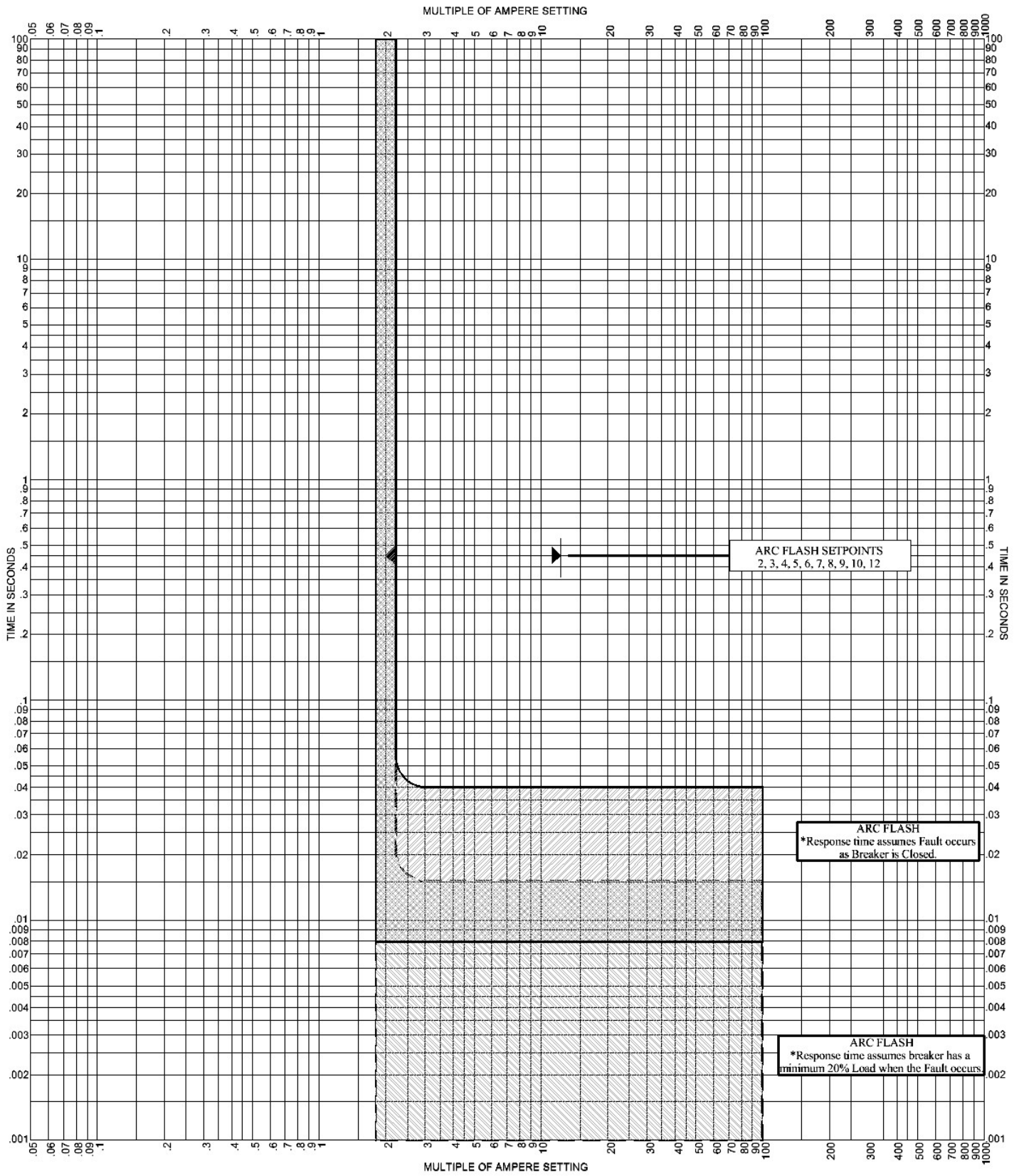
4-WIRE SYSTEMS, SOURCE GROUND
GROUND FAULT PROTECTION
DRAWING 5



4-WIRE SYSTEMS, RESIDUAL MAIN AND FEEDER BREAKER
GROUND FAULT PROTECTION
DRAWING 6



WESTRIP RMS-2012AF PROGRAMMABLE LOGIC CONTROL Rev.01 TIME-CURRENT CHARACTERISTIC CURVES
 FOR WESTRIP DATED 2012
 STANDARD DEVIATION FOR AMPERE SETTING IS +/- 10%



WESTRIP RMS-2012AF PROGRAMMABLE LOGIC CONTROL Rev.01 TIME-CURRENT CHARACTERISTIC CURVES
 FOR RMS-2012AF ARC FLASH CURVE DATED 2012
 STANDARD DEVIATION FOR AMPERE SETTING IS +/- 10%
 Curve as shown does not include breaker clearing time.

WESTRIP™ RMS-2012AF OEM REPLACEMENT TRIP UNIT

THE RMS-2007AF IS ALSO DESIGNED TO ALLOW THE USER THE FLEXIBILITY OF UTILIZING THE EXISTING CURRENT SENSORS AND ACTUATORS WHEN AVAILABLE. THE OEM REPLACEMENT TRIP UNIT IS THE STANDARD RMS-2012AF, BUT IS BUILT TO WORK WITH THE SPECIFIC RATIO OF THE CURRENT SENSORS THAT HAVE ALREADY BEEN INSTALLED ON THE BREAKER.

MODELS AVAILABLE

RMS-2012AF-1A	1 AMP PICKUP
RMS-2012AF-2A	2 AMP PICKUP
RMS-2012AF-5A	5 AMP PICKUP

THE WESTRIP RMS-2012AF-‘X’A CAN BE CALIBRATED TO MEET OEM CURRENT TRANSFORMER OUTPUTS, NOT LESS THAN 1 AMP.

THE WESTRIP RMS-2012AF-‘X’A CAN REPLACE ALL THE TRIP UNITS LISTED BELOW AND MORE.

ABB-BBC POWERSHIELD SS1-SS6
 SIEMENS-ALLIS STATIC TRIP 1and 2
 SIEMENS-ALLIS LIMIT TRIP
 WESTINGHOUSE ITEKTOR-RK-SPCB
 WESTINGHOUSE AMPTECTOR IA and IIA
 WESTINGHOUSE DIGI-TRIP
 GENERAL ELECTRIC ECS-SST-Versa Trip
 GENERAL ELECTRIC RMS9 MicroVersa Trip

If you do not see your specific unit listed, please contact sales

Toll-Free (877) 382-5864

1 AMP SYSTEM CHART

The following charts show the values when testing a WESTRIP RMS-2012AF-1A.

Chart 3A – Long Time Delay

*Time in Seconds		Test Current Level					
		200%		300%		600%	
		Low Side	High Side	Low Side	High Side	Low Side	High Side
Delay Setting	2	14.4	21.6	6.4	9.6	1.6	2.5
	3	21.6	32.4	9.6	14.4	2.4	3.8
	4	28.8	43.2	12.8	19.2	3.2	5.0
	5	36	54	16	24	4	6.3
	7	50.4	75.6	22.4	33.6	5.6	8.8
	10	72	108	32	48	8	12.5
	12	86.4	129.6	38.4	57.6	9.6	15
	15	108	162	48	72	12	18.8
	20	144	216	64	96	16	25
	24	172.8	259.2	76.8	115.2	19.2	30

Chart 3B – Short Time Delay

*Time in milliseconds		Test Current Level	
		150%	
		Low Side	High Side
Delay Setting	.1	65	100
	.15	98	150
	.2	130	200
	.25	163	250
	.3	195	300
	.35	228	350
	.4	260	400
	.45	293	450
	.5	325	500
	**I ² T	.58 Sec.	.90 Sec.

Chart 3D – Ground Fault Delay

*Time in milliseconds		Test Current Level	
		300%	
		Low Side	High Side
Delay Setting	.1	65	100
	.15	98	150
	.2	130	200
	.25	163	250
	.3	195	300
	.35	228	350
	.4	260	400
	.45	293	450
	.5	325	500

**I²T Test Settings: 'AMP TAP' = '1.0',
'SHORT TIME' = '2', Test current = 3A.

Chart 3C – Instantaneous Delay

Set Secondary Current No More Than
To 150% of Chart 4C .06 Sec

Chart 3E – Arc Flash Delay

Set Secondary Current No More Than
To 150% of Chart 4C .05 Sec

Chart 4A – Long Time Pick-up Currents

		LONG TIME PICK UP							
		.4	.5	.6	.7	.8	.9	1.0	
Amp Tap	.5	.20	.25	.30	.35	.40	.45	.50	
	.6	.24	.30	.36	.42	.48	.54	.60	
	.7	.28	.35	.42	.49	.56	.63	.70	
	.8	.32	.40	.48	.56	.64	.72	.80	
	.9	.36	.45	.54	.63	.72	.81	.90	
	1.0	.40	.50	.60	.70	.80	.90	1.00	

Chart 4B – Short Time Pick-up Currents

		SHORT TIME PICK UP									
		1.5	2	3	4	5	6	7	8	9	10
Amp Tap	.5	.75	1.00	1.50	2.00	2.50	3.00	3.50	4.00	4.50	5.00
	.6	.90	1.20	1.80	2.40	3.00	3.60	4.20	4.80	5.40	6.00
	.7	1.05	1.40	2.10	2.80	3.50	4.20	4.90	5.60	6.30	7.00
	.8	1.20	1.60	2.40	3.20	4.00	4.80	5.60	6.40	7.20	8.00
	.9	1.35	1.80	2.70	3.60	4.50	5.40	6.30	7.20	8.10	9.00
	1.0	1.50	2.00	3.00	4.00	5.00	6.00	7.00	8.00	9.00	10.0

Chart 4C – Instantaneous & Arc Flash Pick-up Currents

		INSTANTANEOUS AND ARC FLASH PICK UP CHART									
		2	3	4	5	6	7	8	9	10	12
Amp Tap	.5	1.00	1.50	2.00	2.50	3.00	3.50	4.00	4.50	5.00	6.00
	.6	1.20	1.80	2.40	3.00	3.60	4.20	4.80	5.40	6.00	7.20
	.7	1.40	2.10	2.80	3.50	4.20	4.90	5.60	6.30	7.00	8.40
	.8	1.60	2.40	3.20	4.00	4.80	5.60	6.40	7.20	8.00	9.60
	.9	1.80	2.70	3.60	4.50	5.40	6.30	7.20	8.10	9.00	10.8
	1.0	2.00	3.00	4.00	5.00	6.00	7.00	8.00	9.00	10.0	12.0

Chart 4D – Ground Fault Pick-up Currents

GROUND FAULT PICK UP									
.25	.3	.35	.4	.5	.6	.75	1.0	2.0	Defeat
.25	.30	.35	.40	.50	.60	.75	1.0	2.0	No Trip

NOTE: ‘GROUND FAULT’ Pick ups not affected by ‘AMP TAP’ setting.